

Installation and Operating Instructions for MODEL 346 POWER PLAY™ AUDIO AMPLIFIER

Your purchase of a WOLO POWER PLAY is the perfect choice to compliment your vehicle, home, boat, workplace and more. Our products are manufactured with the finest of materials. Each amplifier is bench tested before it is packaged to assure you will have many years of reliable service.

MOUNTING SPEAKER

Engine Compartment & Permanent Mount (Figures A & B)

1. Select a desired mounting location, that is dry in the engine compartment, safe from the engine and exhaust manifold heat. It is recommended that the Power Play be positioned facing downward which will help prevent water from entering into the speaker and internal electronics. Make sure that the speaker's opening is not blocked which could reduce its loudness. Using the speaker's mounting bracket as a template, mark four hole locations and drill using a 7/32-inch drill bit. Secure speaker with hardware provided. The speaker can be pivoted for best projection of sound by loosening the two nuts on the base. Position the speaker and retighten nuts.
2. Proceed to instruction step: **CONNECTING TO 12-VOLT POWER SOURCE - METHOD 3**

Magnet Non-Permanent Mount (Fig. C)

3. To help prevent movement of Power Play due to vibration and mild wind, the mounting bracket has a recessed magnet that will help secure Power Play to a metal surface. The magnet is covered with a vinyl cover, which will help prevent scratching to the metal surface that POWER PLAY is placed on. **IMPORTANT: never drive a vehicle with POWER PLAY placed on the exterior of a vehicle using the magnet; this is a non-permanent mounting method.**

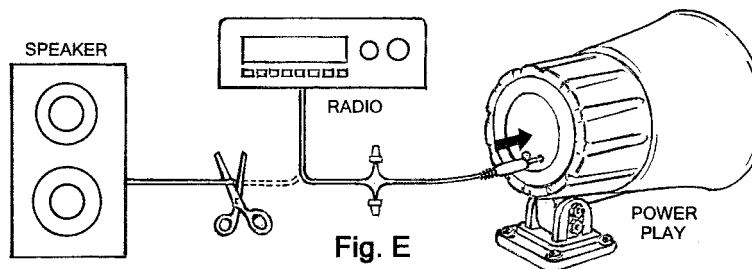
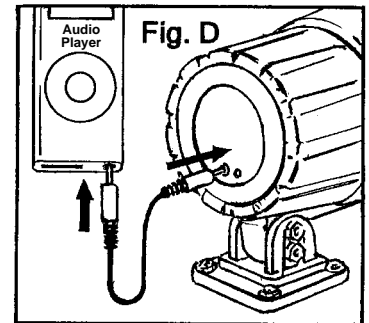
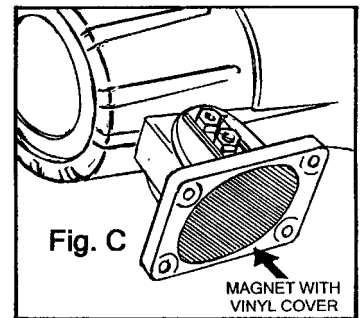
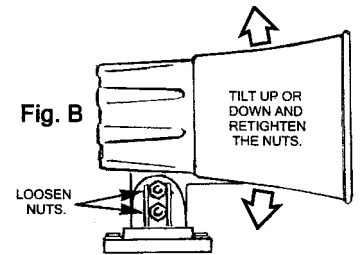
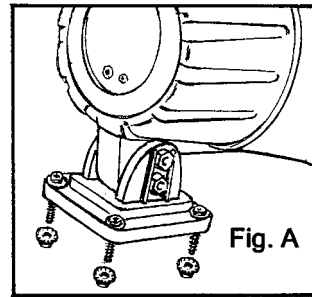
CONNECTING TO AUDIO PLAYER (Fig. D)

4. Using the provided audio cable with two-(2) male plugs, insert one of the male plug's into the POWER PLAY'S socket marked **PLUG & PLAY CONNECTION**.
5. Insert the other male plug into the headphone connection of the audio player.
6. Proceed to instruction step: **CONNECTING TO 12-VOLT POWER SOURCE - METHOD 1 OR 2**

CONNECTING TO AUDIO DEVICE (Fig. E)

that doesn't have a headphone connection

7. Using the provided audio cable with the single male plug, insert the plug into POWER PLAY'S audio socket marked **AUDIO HARDWARE CONNECTION**.

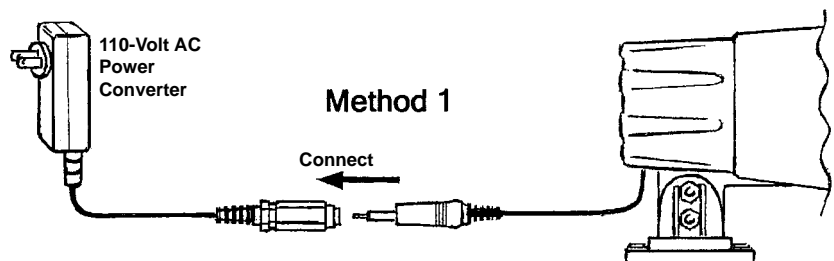


8. Since your audio device doesn't have a headphone outlet, you will need to locate the speaker.
9. Disconnect the two-(2) wires that are connected to the speaker and reconnect them to audio cable that is plugged into Power Play.

CONNECTING POWER PLAY A TO POWER SOURCE

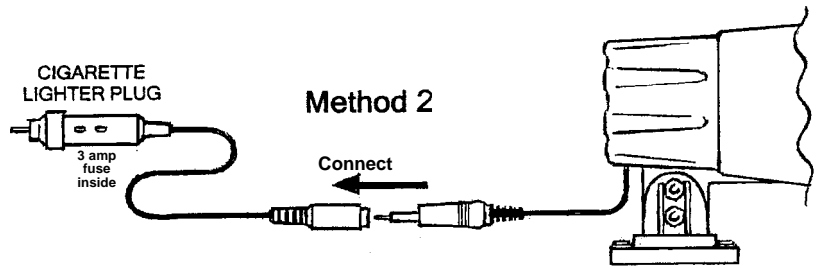
There are three (3) methods of connecting to a power source.

Method 1. 110Volt Power Converter: Connect the female plug at the end of the power converter's wire to Power Play. Insert the provided converter into a standard 110-volt AC receptacle. **CAUTION: Risk of electric shock. Use in dry locations only.**



Method 2. Vehicle's Cigarette Accessory Outlet:

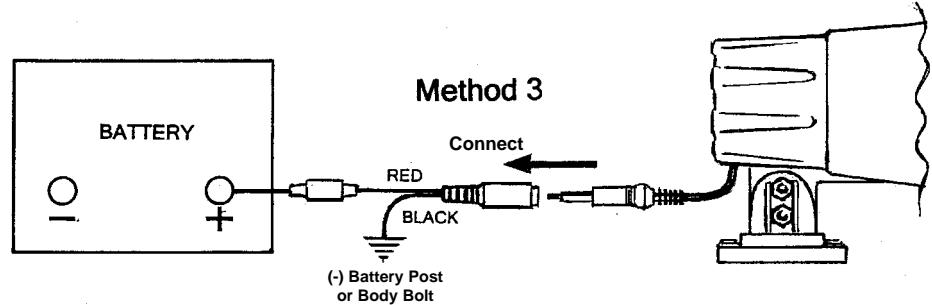
Using the provided power wire with the cigarette lighter plug, connect the female plug at the end of the wire to Power Play. The cigarette lighter plug is inserted into the vehicle's lighter or accessory outlet. Please note: to protect POWER PLAY and your vehicle there is an internal replaceable fuse, 3-amp, inside the cigarette lighter plug. **IMPORTANT:** some vehicles may not have power to the outlet when vehicles ignition is turned off.



Method 3. Hardwire To 12-Volts DC:

Using the provided six (6) inch wire leads with the inline fuse, 3 amp, connect the female plug at the end of the wire to Power Play.

Black wire: is connected to ground (-). Secure the black wire to the vehicle's (-) battery post or under a body bolt and make sure the bolt and metal body surface is clean of rust and paint in order to ensure a good electrical connection.



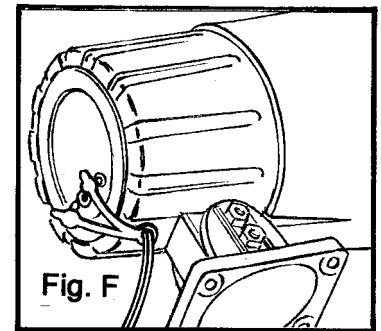
Red wire: is connected to a positive (+). Secure the red wire to the vehicle's battery, fuse-block or any covenant 12-volt (+) power source. Please note: to protect POWER PLAY and your vehicle there is an inline replaceable fuse, 3-amp.

Power Play's state-of-the-art electronic circuitry has been engineered to automatically turn on the amplifier only when the audio play s turned on and sending an audio signal to Power Play. Use the volume control of your audio player to raise and lower the audio output of Power Play. Power Play's amplifier will automatically turn off thirty-(30) seconds after you turn off the audio player ensuring your vehicle's battery will not be drained of power when not in use. When contacting Power Play to a power source or shutting off the audio player, you may hear a low level static sound being emitted from Power Play, that is normal and will stop within thirty-(30) seconds following the power on/audio off operation.

USING THE POWER PLAY

Ensure that the following steps have been completed:

- Audio connection between Power Play and the audio player.
- You have connected Power Play to a power source using one of the three methods.
- Turn on the audio player that is connected to Power Play.
- Turn up the volume of the audio player and Power Play will sense the audio signal turn on and will amplify your audio.
- Note:** If Power Play shuts off while the audio player is turned on and playing, simply increase the audio level of the audio player.



IMPORTANT: To prevent dust and dirt from entering into Power Play's audio connections (Plug-N-Play & hardwire), included is a rubber plug protector that is attached to the back of the speaker. When Power Play is not being used, insert and push the tabs into both audio connections. See Fig.F

Our technicians are available to answer your questions, Monday through Friday from 8 AM to 4 PM EST 1-888-550-HORN (4676).

WARRANTY

Wolo Manufacturing Corporation ("Wolo") warranties to the original purchaser, for three months from the date of purchase, that this product is free from defects in workmanship and materials. If there is such a proven defect, Wolo, at its option, will either repair or replace the item free of charge, if it is returned to Wolo within three months from the date of purchase together with proof of purchase as described below. Wolo reserves the right to inspect any defect prior to settling any warranty claim by repair or replacement. This warranty is limited as above provided and Wolo will not be responsible for fire or other casualty or accident, due to neglect, abuse, abnormal use, modifications, faulty installation of this product, or natural causes.

ANY EXPRESSED WARRANTY NOT PROVIDED HEREIN IS EXCLUDED AND DISCLAIMED. THE IMPLIED WARRANTIES OF MERCHANTABILITY AND OF FITNESS FOR A PARTICULAR PURPOSE ARE EXPRESSLY LIMITED TO A TERM OF THREE (3) MONTHS. UNDER NO CIRCUMSTANCES SHALL WOLO BE LIABLE TO PURCHASER OR ANY OTHER PERSON FOR ANY SPECIAL OR CONSEQUENTIAL DAMAGES, WHETHER ARISING OUT OF BREACH OF WARRANTY OR OTHERWISE.

To obtain warranty service, return the product prepaid, and include the original bill of sale showing the date of purchase. Provide with the return a brief description of the problem, your name, address, daytime telephone number and e-mail address. Also, include with the return a check or money order in the amount of \$10.00 (for U.S.A, Canada \$20.00) to cover return shipping.

Mail to: **Wolo Manufacturing Corp. • One Saxwood Street, Deer Park, NY 11729**
Attn: **Warranty Service E-mail: tech@wolo-mfg.com**

