

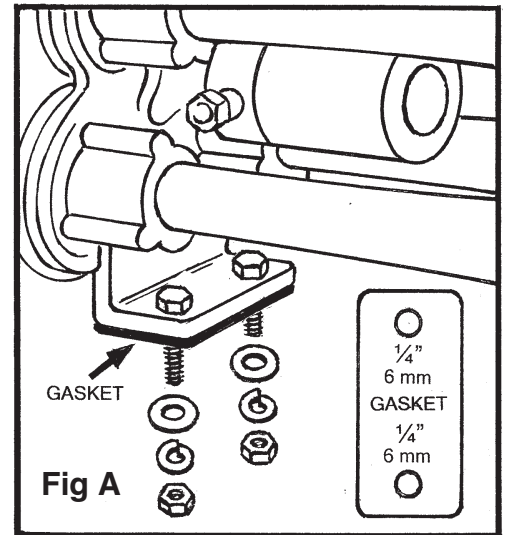
# INSTALLATION INSTRUCTIONS

## FOR MODEL 853 PHILLY EXPRESS TRAIN HORN

Your purchase of a Philly Express Train Horn is the perfect choice to compliment your vehicle. Wolo's products are manufactured with the finest materials. Each horn is tested to insure it meets all manufacturing specifications, before it is packaged. If you need help installing your new Wolo horn, our technicians are available to answer your questions, Monday thru Friday, 9 AM to 4 PM EST at 1-888-550-HORN (4676).

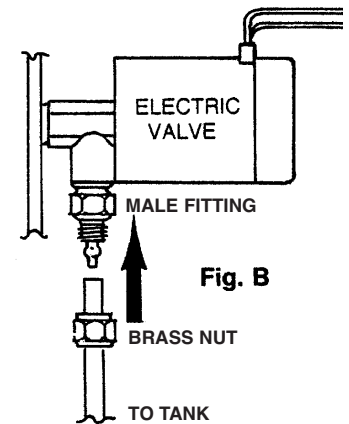
### HORN INSTALLATION (Fig. A)

1. Locate a mounting location that is a solid metal surface such as the vehicle's frame or chassis to help prevent excessive vibration, which could damage the horn. **IMPORTANT:** Do not mount horn on a plastic fender well or flexible material. For best results, the front of the horn should be unobstructed so that the sound can carry straight ahead.
2. Use the base of the horn as a template, mark the hole locations and drill to size.
3. Place the gasket between the mounting surface and the base of the horn.
4. Secure the horn with the hardware provided and tighten evenly.



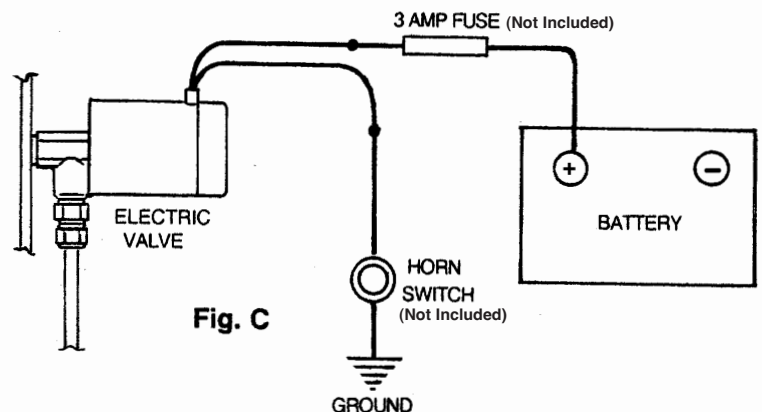
### HOSE INSTALLATION (Fig. B)

5. Use 1/4" O.D. plastic hose (not provided), cut to size in order to connect the horn's electric solenoid valve to the tank of the vehicle's high pressure on-board air system.
6. Place the brass nut onto the end of the air hose. Push the hose onto the male inlet fitting located on the electric solenoid valve.
7. Thread brass nut onto the male fitting and tighten. **CAUTION:** Do not over tighten brass nut.
8. Connect the other end of the hose to the vehicle's on-board air tank. Make sure that the on-board air system has no pressure before attempting to connect hose to tank. **IMPORTANT:** NEVER INSTALL THE HORN TO AN AIR TANK THAT CONTROLS THE AIR BRAKES OR ANY OTHER CRITICAL OPERATING SYSTEM.



### ELECTRIC VALVE WIRING (Fig. C)

9. Connect one (1) wire from the electric valve to the positive (+) battery terminal, alternator, etc. Always protect this circuit with a three (3) amp fuse (not included).
10. Connect the other wire of the electric solenoid valve to the horn switch (not included).
11. Connect the horn switch's other terminal to ground, any metal body bolt that is clean of paint and rust.



## **Warranty**

Wolo Manufacturing Corporation ("Wolo") warrants to the original purchaser, for three months from the date of purchase, that this product is free from defects in workmanship and materials. If there is such a proven defect, Wolo, at its option, will either repair or replace the item free of charge, if it is returned to Wolo within three months from the date of purchase together with proof of purchase as described below. Wolo reserves the right to inspect any defect prior to settling any warranty claim by repair or replacement. This warranty is limited as above provided and Wolo will not be responsible for fire or other casualty or accident, due to neglect, abuse, abnormal use, modifications, faulty installation of this product, or natural causes.

ANY EXPRESSED WARRANTY NOT PROVIDED HEREIN IS EXCLUDED AND DISCLAIMED. THE IMPLIED WARRANTIES OF MERCHANTABILITY AND OF FITNESS FOR A PARTICULAR PURPOSE ARE EXPRESSLY LIMITED TO A TERM OF THREE (3) MONTHS. UNDER NO CIRCUMSTANCES SHALL WOLO BE LIABLE TO PURCHASER OR ANY OTHER PERSON FOR ANY SPECIAL OR CONSEQUENTIAL DAMAGES, WHETHER ARISING OUT OF BREACH OF WARRANTY OR OTHERWISE.

To obtain warranty service, return the product prepaid, and include the original bill of sale showing the date of purchase. Provide with the return a brief description of the problem. Also, include with the return a check or money order in the amount of \$10.00 to cover return shipping. Mail to:

**Wolo Manufacturing Corp.  
One Saxwood Street, Deer Park, NY 11729  
Attn: Warranty Service  
E-mail: [tech@wolo-mfg.com](mailto:tech@wolo-mfg.com)**

© 2008 Wolo Mfg. Corp. All Rights Reserved