

# Installation Instructions for HIGH-PRESSURE COMPRESSORS Model 858-C

Your purchase of a WOLO high-pressure compressor is a perfect choice to power your high-pressure air horns, tools and accessories. The Wolo name, with more than thirty years of experience, is your guarantee of a superior product. If you need help installing this product, our technicians are available to answer your questions, Monday through Friday from 9 AM to 4 PM EST by calling 1-888-550-HORN (4676).

## COMPRESSOR INSTALLATION (Fig. 1):

1. Locate a convenient location to mount the compressor that will be dry. If the location is the engine compartment make sure the compressor is safe from the heat of the exhaust manifold and try to mount compressor as far to the front of vehicle as possible to provide optimum airflow around compressor. **IMPORTANT!** Do not mount on a plastic fender well, or on flexible material.
2. Using the compressor's mounting base as a template, mark the hole locations and drill to size, use a 3/16" drill bit. Secure the compressor to the mounting surface using the hardware provided.

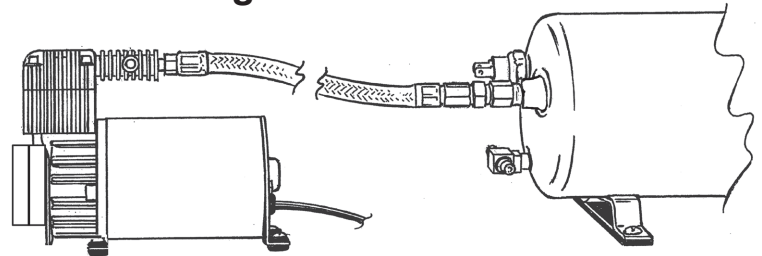
**Fig. 1**



## HOSE INSTALLATION (Fig. 2):

3. Connect the compressor's stainless steel braided hose to tanks inlet port. **IMPORTANT:** Make sure the tanks inlet port is 1/4" N.P.T. (National Pipe Thread). The threaded fitting at the end of the braided hose has been wrapped with Teflon® tape to prevent air leaks, do not remove the tape.

**Fig. 2**



## WIRING COMPRESSOR (Fig. 3):

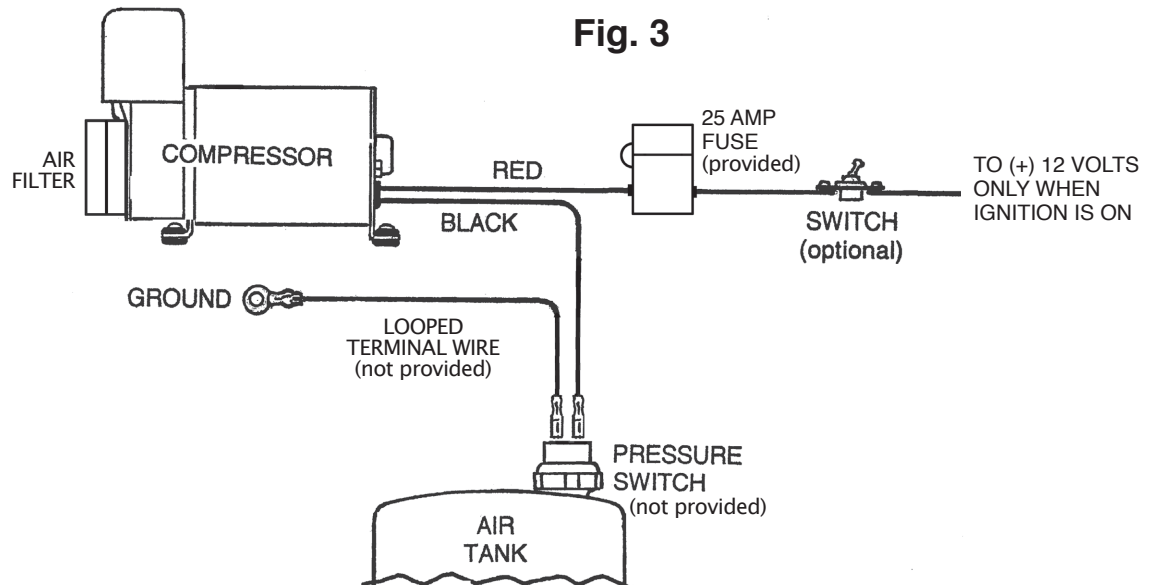
4. The compressor's red wire is connected to a (+) 12-volt power source, using the 25-amp inline fuse provided. **IMPORTANT:** The red fused wire must be connected to a (+) 12-volt power source that is controlled by the vehicle's ignition switch. This will protect your compressor from being damage if an air leak develops when the vehicle is not in operation. Suggested electrical connection points are: blower motor, windshield wiper motor or the accessory terminal on the fuse panel. Make sure the connection point has a wire that is as heavy as the compressor's wires and the connection point is capable of handling 25-amps. **CAUTION:** remove the fuse from the fuse holder until installation is complete. **OPTIONAL:** A switch can be installed into the compressor's red wire. This will permit the driver to turn-off the system if it is not required.

5. The compressor's black wire is connected to the tank's pressure switch.

6. The pressure switch's other terminal is connected to ground; either the (-) side of the vehicle's battery or under any metal body bolt. Make sure the ground connection is free of rust and paint.

7. The compressor is now ready to be used. Install the fuse back into the fuse holder and the compressor will automatically start.

**Fig. 3**



Depending on the pressure switch's on/off specification, when the pressure in the tanks drops below 80 PSI in the tank, the pressure switch will automatically turn on the compressor. When the tank pressure is approximately 120 PSI the compressor will automatically turn off. If the compressor does not shut off after 4 minutes of running time, check all air hose connections for air leaks. Use soapy water or bubble solution on each fitting, while the compressor is pumping. If leak persists after tightening, remove fitting clean and apply Teflon tape or thread sealant and reinstall fitting.

#### **PREVENTIVE MAINTENANCE**

8. Electrical connections should be checked periodically to ensure that they are secure and there is no corrosion.
9. The compressor comes with a washable air filter that is accessible by removing the filter housing front cover. It is recommended that the filter be washed and cleaned using a mild liquid soap every 60 days if environment is dusty. When necessary replace the filter.

**CAUTION:** Do not touch compressor or fittings with bare hands during or immediately after usage, they will be hot.

**IMPORTANT:** Compressor is equipped with an internal THERMAL OVERLOAD PROTECTOR. If compressor should shut off before the tank has been filled to the pressure switch's turn off pressure, do not attempt to restart compressor. Allow compressor to cool off for approximately 40 minutes before resuming use.

The compressor comes from the factory permanently lubricated and the motor is maintenance free. Never attempt to lubricate, modify or service the compressor. Any required repairs should only be done by Wolo Manufacturing Corp.

#### **COMPRESSOR SPECIFICATIONS:**

12-Volt heavy-duty compressor  
Current: 21 amps at peak  
CFM: 2.55  
In-line fuse holder with 25 amp fuse provided  
Permanent magnetic motor that is gearless with thermo protection  
Oil-less maintenance free design  
High performance piston ring  
Moisture & dust resistant  
Painted aluminum alloy cylinder  
Mounting base has rubber vibration bushings  
Stainless steel braided hose with in-line check valve  
Washable air filter

### **Warranty**

Wolo Manufacturing Corporation ("Wolo") warranties to the original purchaser, for three months from the date of purchase, that this product is free from defects in workmanship and materials. If there is such a proven defect, Wolo, at its option, will either repair or replace the item free of charge, if it is returned to Wolo within three months from the date of purchase together with proof of purchase as described below. Wolo reserves the right to inspect any defect prior to settling any warranty claim by repair or replacement. This warranty is limited as above provided and Wolo will not be responsible for fire or other casualty or accident, due to neglect, abuse, abnormal use, modifications, faulty installation of this product, or natural causes.

ANY EXPRESSED WARRANTY NOT PROVIDED HEREIN IS EXCLUDED AND DISCLAIMED. THE IMPLIED WARRANTIES OF MERCHANTABILITY AND OF FITNESS FOR A PARTICULAR PURPOSE ARE EXPRESSLY LIMITED TO A TERM OF THREE (3) MONTHS. UNDER NO CIRCUMSTANCES SHALL WOLO BE LIABLE TO PURCHASER OR ANY OTHER PERSON FOR ANY SPECIAL OR CONSEQUENTIAL DAMAGES, WHETHER ARISING OUT OF BREACH OF WARRANTY OR OTHERWISE.

To obtain warranty service, return the product prepaid, and include the original bill of sale showing the date of purchase. Provide with the return a brief description of the problem. Also, include with the return a check or money order in the amount of \$20.00 to cover return shipping. Mail to:

**Wolo Manufacturing Corp. One Saxwood Street, Deer Park, NY 11729**  
**Attn: Warranty Service E-mail: [tech@wolo-mfg.com](mailto:tech@wolo-mfg.com)**