



INSTALLATION INSTRUCTIONS FOR MODEL 3055MPS-A ALUM WARNING LIGHT 12~24-VOLT MAGNET, PERMANENT OR SUCTION CUP MOUNT

Your purchase of a Wolo warning light is the perfect choice to complement your vehicle. Our warning lights are manufactured with the finest of materials and each light is tested before it is packaged. Quality workmanship and components are Wolo's assurance of a product that will provide years of dependable service. Before installation of this warning light is attempted, it is important to read these instructions completely. The lives of people are dependent on proper installation. The person installing this light must have advanced knowledge of the proper method of installing warning lights to a vehicle, as well as knowledge of the vehicle's electrical system. Again, read this manual completely and note any messages marked **"IMPORTANT:"** or **"WARNING:"**. A safe installation will prevent serious injury and/or damage to the vehicle.

IMPORTANT: Installation of this warning light may require drilling of the vehicle. The installer must carefully inspect both sides of any location that will be drilled to ensure that there are no components, wires and/or any vehicle parts that could be damaged when drilling.

IMPORTANT: Always de-burr any drilled holes to ensure that there are no sharp edges. Install the rubber grommet into the hole that the wires are being routed through. Always refer to the vehicle's shop manual for the deployment location of the air bags. Never install the on/off switch, wires and/or components in the deployment area of any air bag. Improper installation could reduce the effectiveness of the vehicle's air bag system and/or project an object that could cause serious personal injury or death to the driver or passenger. The user/installer assumes all responsibility to properly access a safe mounting location for the switch to provide ultimate safety to the driver and passengers inside the vehicle.

WARNING: This warning light contains high intensity LEDs. To prevent permanent eye damage, DO NOT stare into the light beam at close range.

WARNING: Do not use this product if driver or passengers have Photosensitive Epilepsy. Flashing light patterns can cause seizures if a person has Photosensitive Epilepsy.

PERMANENT MOUNTING USING SCREWS (Fig. 1 - 5)

1. Select the location you wish to mount the warning light. For the best results, the installer should make sure the lens is unobstructed so that the light can be seen at 360 degrees.
2. To mount the light permanently, the magnet and suction cup need to be removed from the base of the light.
3. Position the light with the base facing upward. Using a heat gun or a hair dryer, heat the magnet's vinyl cover. The heat will loosen the glue that is securing the vinyl cover to the magnet.
IMPORTANT: Always wear gloves to prevent burning your finger and hands. See Fig. 1.
4. Peel the vinyl cover from magnet. It might be necessary to re-heat the vinyl until it is separated from the magnet. See Fig. 2.
5. Remove the M6 hex bolt in the center of the magnet. See Fig. 3.
6. The magnet and suction cup can be separated from the light. See Fig. 4.
7. Using the holes in the light's base as a template, mark the hole locations for mounting the light. Lift the light from the mounting surface and drill holes using a 3/16" drill bit.

NOTE: There are two methods to route the power cable:

- 7A. Route the wires through the notch in the base of the light. See Fig. 5.
 - 7B. Route the wires through a hole under the base of the warning light. See Fig. 6.
8. If needed, drill a hole for the wires to pass through, use a 5/16" drill bit. Deburr the drilled hole and insert the provided rubber grommet into the hole. The rubber grommet will ensure that there are no sharp edges that could damage the wires. **IMPORTANT:** If waterproofing is required, use silicone sealant around wires and rubber grommet.
 9. Secure the base of the warning light to the vehicle using only the hardware provided. To prevent vibration and water leaks always use the rubber gasket provided. See Fig. 6.

Fig. 1



Fig. 2



Fig. 3



Fig. 4



Fig. 5

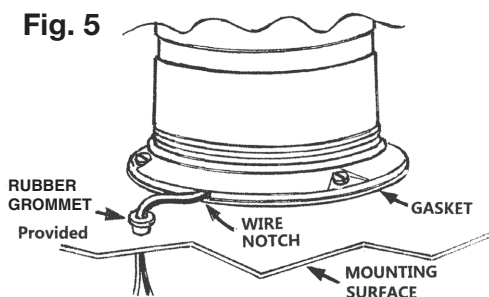
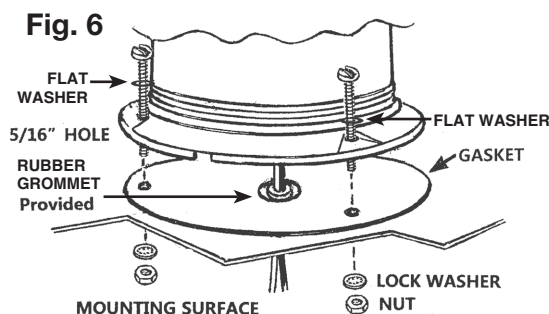
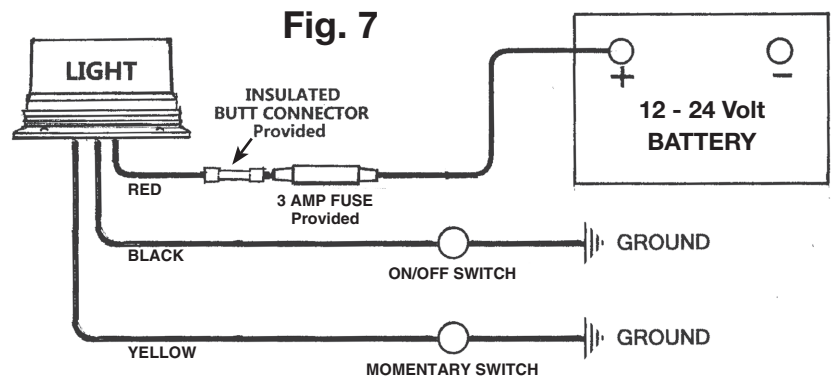


Fig. 6



WIRING FOR PERMANENT MOUNT (Fig. 7)

- Cut the plug from the power cable.
- Carefully remove approximately 1-1/2" of the vinyl sheath to gain access to the three (3) wires. **WARNING:** Use care to not cut into the wires when removing the vinyl sheath.
- RED WIRE:** The light's red wire is connected to a positive (+)12-volts DC power source, using the 3-amp inline fuse (provided). **IMPORTANT!** The fuse must be connected directly to the power source. Remove the fuse from the inline fuse holder until all wiring is completed.
- BLACK WIRE:** Is connected to the on/off switch (not provided).
- Connect the other terminal or wire from the on/off switch to ground, such as the negative post of the vehicle's battery, or any metal body bolt that is clean of paint and rust.
- YELLOW WIRE:** Is connected to the momentary on/off normally open switch (not provided).
- The other other terminal or wire of the momentary switch is connected to ground, such as the negative post of the vehicle's battery, or any metal body bolt that is clean of paint and rust.
- Insert the fuse back into the fuse holder and position the power switch to ON. The light will turn on and operate.
- CHANGING LIGHT PATTERN:** There are four (4) different light patterns to choose from. Press and release the momentary switch to change the light pattern.



MAGNET MOUNT

NOTE: The magnet is hidden inside the suction cup on the bottom of the warning light.

IMPORTANT: Vehicle roof construction varies for most vehicles as well as driving conditions. The vehicle should never be driven with this warning light magnetically mounted. It is possible that the light could dislodge off the mounting surface and cause damage, injury, or death. Ignoring this warning shall be the sole responsibility of the user and or vehicle owner.

IMPORTANT: The magnets' holding power to the mounting surface is dependent upon the following: flatness, thickness, and finish of the mounting surface. For maximum magnet strength, follow these recommendations:

- The vehicle's mounting surface should be kept clean and free of wax, dirt, dust, and foreign particles.
- The bottom of the magnets' vinyl cover should be kept clean and free of wax, dirt, dust, and foreign particles.
- Always make sure that the mounting surface is flat, and that the magnet is fully secured to the vehicle.
- Once you have located the desired mounting location, you should make sure the lens is unobstructed so that the light can be seen 360 degrees.

IMPORTANT: Never attempt to secure the magnets to a vehicle that has a fabric or vinyl covering the mounting surface.

IMPORTANT: Never attempt to secure the magnet to a surface covered with ice or snow.

SUCTION CUP MOUNT

To secure the light to the vehicle using the suction cup, wet mounting surface with water, position the light onto the mounting surface. firmly push downward on the light's lens. **IMPORTANT:** Always carefully check that the light is securely held to the vehicle before use. There is no set time for how long the suction cup remains secure to the mounting surface.

IMPORTANT: Vehicle roof construction varies for most vehicles as well as driving conditions. The vehicle should never be driven with this warning light mounted with the suction cup. It is possible that the light could dislodge off the mounting surface and cause damage, injury, or death. Ignoring this warning shall be the sole responsibility of the user and or vehicle owner.

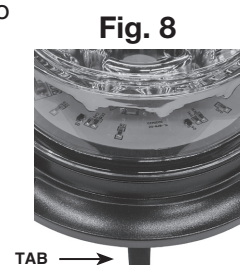
IMPORTANT: The suction's cup holding power to the mounting surface is dependent upon the following: flatness, thickness, and finish of the mounting surface. For maximum suction cup strength, follow these recommendations:

- The vehicle's mounting surface should be kept clean and free of wax, dirt, dust, and foreign particles.
- Always make sure that the mounting surface is flat, and that the suction cup is fully secured to the vehicle.
- Once you have located the desired mounting location, you should make sure the lens is unobstructed so that the light can be seen 360 degrees.

IMPORTANT: Never attempt to secure the suction cup to a vehicle that has a fabric or vinyl covering the mounting surface.

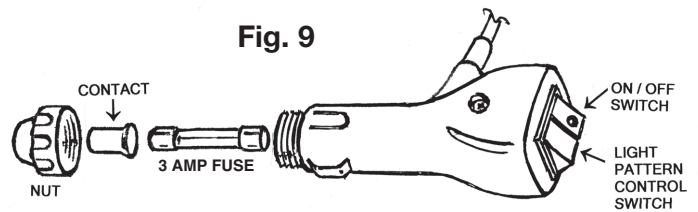
IMPORTANT: Never mount the light to a surface that is covered with ice or snow.

- To remove the light from the mounting surface, lift the tab on the side of the suction cup. See Fig. 8.



POWERING MAGNET AND SUCTION CUP MOUNTED LIGHT (Fig. 9)

27. To turn on the light, simply insert the light's cigarette lighter plug into the vehicle's power outlet. Press the on/off button on the back of the cigarette lighter plug. When the light is operating the LED on the plug's rocker switch will illuminate
28. To turn off the warning light, remove the cigarette lighter plug from the vehicle's power socket or position the on/off switch to off.



IMPORTANT: The warning light's cigarette lighter plug has an internal fuse to protect the light and the vehicle. If the warning light does not turn on when the plug is inserted into the vehicle power outlet, check the fuse by the following method: The tip of the power plug has a chrome push-in contact which is secured by the plastic nut. Unscrew the nut, and you will have access to the fuse. If the fuse needs to be replaced use a 3-amp fuse. Follow the reverse procedure to re-assemble fuse back into power plug.

CHANGING LIGHT PATTERN (Fig. 9)

29. There are four (4) different light patterns to choose from. Press the pattern selector switch button on the back of the cigarette lighter plug and the light pattern will change. Each time the pattern switch is pressed and released the light pattern will change.

CLEANING LENS: A scratched, dull or dirty lens can cause a reduction in brightness of warning light. Never use a caustic or petroleum base cleaner on any surface of the warning light. For the best cleaning results, always use household glass cleaner or mild soap with a soft lint free rag.

WARRANTY

Wolo Manufacturing Corporation ("Wolo") warrants the original purchaser, for three months from the date of purchase, that this product is free from defects in workmanship and materials. If there is such a proven defect, Wolo, at its option, will either repair or replace the item free of charge, if it is returned to Wolo within three months from the date of purchase together with proof of purchase as described below. Wolo reserves the right to inspect any defect prior to settling any warranty claim by repair or replacement. This warranty is limited as provided above and Wolo will not be responsible for fire or other casualty or accident, due to neglect, abuse, abnormal use, modifications, faulty installation of this product, or natural causes.

ANY EXPRESSED WARRANTY NOT PROVIDED HEREIN IS EXCLUDED AND DISCLAIMED. THE IMPLIED WARRANTIES OF MERCHANTABILITY AND OF FITNESS FOR A PARTICULAR PURPOSE ARE EXPRESSLY LIMITED TO A TERM OF THREE (3) MONTHS. UNDER NO CIRCUMSTANCES SHALL WOLO BE LIABLE TO PURCHASER OR ANY OTHER PERSON FOR ANY SPECIAL OR CONSEQUENTIAL DAMAGES, WHETHER ARISING OUT OF BREACH OF WARRANTY OR OTHERWISE.

To obtain warranty service, return the product prepaid, and include the original bill of sale showing the date of purchase. Provide with the return a brief description of the problem with a daytime telephone number. Also, include with the return a check or money order in the amount of \$20.00 to cover return shipping.

Mail to:

Wolo Manufacturing Corp.

Attn: Warranty Service
One Saxwood Street
Deer Park, NY 11729