

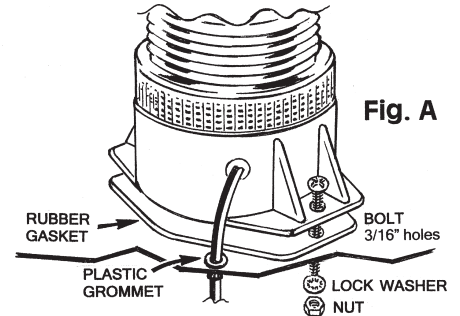


# INSTALLATION INSTRUCTIONS FOR WOLO LIGHTNING BRIGHT® 2 MODEL 3930-A

Your choice of a Wolo's warning light is the perfect choice to compliment your vehicle. Our warning lights are manufactured with the finest of material. Each light is tested before it is packaged. Our quality workmanship and components is Wolo's assurance of a product that will give years of dependable service.

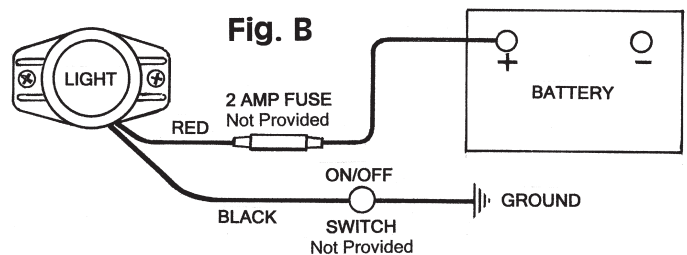
## MOUNTING (Fig. A)

1. Select the location you wish to mount the warning light on. For best results you should make sure the lens is unobstructed so that the light can be seen 360 degrees.
2. Using the holes in the warning light's base, mark the two (2) hole locations for mounting the light. Lift the light from the mounting location and drill holes using a 3/16 inch bit.
3. If needed, drill a hole for the wires using a 5/16 inch bit and insert the plastic grommet into the hole. The plastic grommet will ensure that there are no sharp edges around hole that could damage the wires.
4. **IMPORTANT:** Use some silicone caulking around wires and plastic grommet if waterproofing is required.
5. Secure the base of the warning light to the vehicle using only the hardware provided by Wolo. To prevent vibration and water leaks use the rubber gasket provided.



## WIRING (Fig. B)

6. Connect the warning light's **RED** wire to a power source (+) 12-100 volts such as battery, alternator, etc. use a 2-amp inline fuse (not provided).
7. Connect the warning light's **BLACK** wire to your on/off switch (not provided).
8. Connect the other terminal or wire from the on/off switch to ground, by placing the wire under any metal body bolt that is clean of paint and rust.
9. If you should need to lengthen any wires use 18 gauge or heavier. Make sure connections are taped and secured.



Rated to operate at: 12-100 volts DC.

If you need help installing your new Wolo Lightning Bright, our technicians are available to answer your questions Monday thru Friday 9 AM to 4 PM EST at 1-888-550-4676.

## WARRANTY

Wolo Manufacturing Corporation ("Wolo") warranties to the original purchaser, for three months from the date of purchase, that this product is free from defects in workmanship and materials. If there is such a proven defect, Wolo, at its option, will either repair or replace the item free of charge, if it is returned to Wolo within three months from the date of purchase together with proof of purchase as described below. Wolo reserves the right to inspect any defect prior to settling any warranty claim by repair or replacement. This warranty is limited as above provided and Wolo will not be responsible for fire or other casualty or accident, due to neglect, abuse, abnormal use, modifications, faulty installation of this product, or natural causes.

ANY EXPRESSED WARRANTY NOT PROVIDED HEREIN IS EXCLUDED AND DISCLAIMED. THE IMPLIED WARRANTIES OF MERCHANTABILITY AND OF FITNESS FOR A PARTICULAR PURPOSE ARE EXPRESSLY LIMITED TO A TERM OF THREE (3) MONTHS. UNDER NO CIRCUMSTANCES SHALL WOLO BE LIABLE TO PURCHASER OR ANY OTHER PERSON FOR ANY SPECIAL OR CONSEQUENTIAL DAMAGES, WHETHER ARISING OUT OF BREACH OF WARRANTY OR OTHERWISE.

To obtain warranty service, return the product prepaid, and include the original bill of sale showing the date of purchase. Provide with the return a brief description of the problem. Also, include with the return a check or money order in the amount of \$10.00 to cover return shipping. Mail to:

**Wolo Manufacturing Corp.**  
One Saxwood Street, Deer Park, NY 11729  
Attn: Warranty Service  
E-mail: [tech@wolo-mfg.com](mailto:tech@wolo-mfg.com)