



INSTALLATION INSTRUCTIONS FOR EXPANSION KIT FOR GRILL & SURFACE MOUNT LED WARNING LIGHT MODELS 8050-A, 8055-B, 8060-R, 8065-BR & 8070-C 12-24-VOLT

Your purchase of EXPANSION KIT is the perfect choice to increase your vehicle's warning light's visibility. This product is manufactured with the finest materials and the latest technology and should only be used with Wolo's Grill and Surface Mount, 8000 series. Each light is tested to meet our high standards, to ensure that all functions work perfectly. Our quality workmanship and components are Wolo's assurance that this product will provide years of dependable service. If you need help using or installing the expansion clusters, our technicians are available to answer your questions, Monday thru Friday, from 9 AM to 4 PM EST at 888-550-4676.

Before installation is attempted, it is important to read these instructions completely. The lives of people are dependent on the proper installation. Note any messages marked "**IMPORTANT**" or "**WARNING**". A safe and professional installation will prevent serious injury or damage to the vehicle.

The two LED clusters are factory pre-wired, with waterproof plugs, for an easy professional installation that will assure reliable service when connected to a Wolo GRILL & SURFACE MOUNT LED WARNING LIGHT.

IMPORTANT: Always de-burr any drilled holes to ensure that there are no sharp edges. Install a rubber grommet into all metal holes that the wires are being routed through.

WARNING: The vehicle operator and/or maintenance department should inspect the light system frequently to ensure that all clusters are functioning and are mounted securely to the vehicle.

These installation instructions should always be kept and stored in a safe location so that they can be referred to when information, maintenance or reinstallation is required. Failure to follow all safety precautions and installation procedures as outlined in these instructions, could result in property damage to the vehicle, serious injury or death to you or others.

INSTALLATION

1. Route the 2 splitter wires with the male plugs and protective covers to the locations that you plan to mount each LED cluster. (surface or grill mount). See Fig. 1.

IMPORTANT: make sure the wires will reach the desired mounting location.

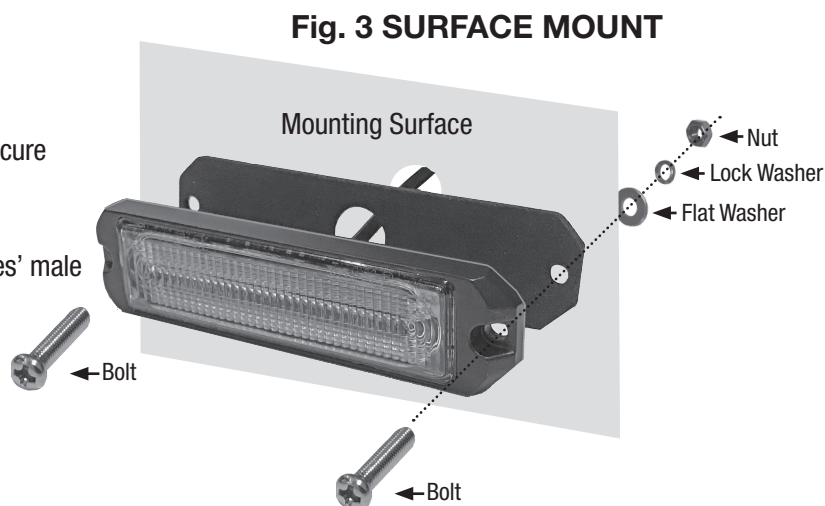
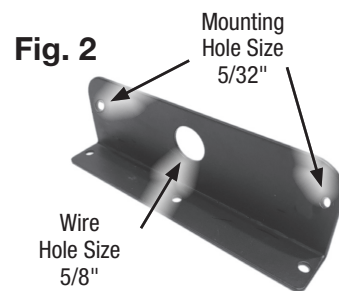
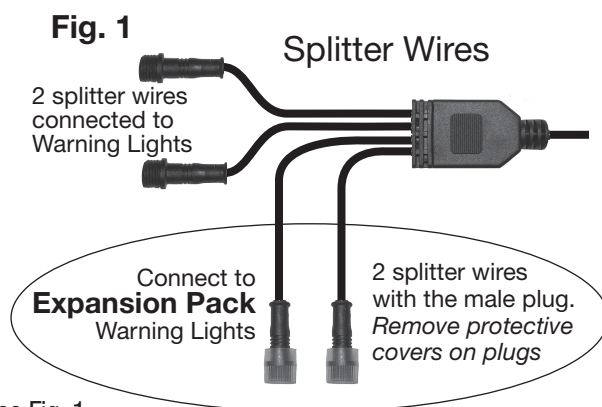
Cutting any wires will void factory warranty.

IMPORTANT: Always make sure that wires are routed away from engine components and hot surfaces to avoid damage to the warning lights wires.

MOUNTING LED CLUSTER

Surface mounting the LED cluster

2. Using the LED mounting bracket as a template, position on the desired mounting surface, and mark the two mounting hole locations and the center wire hole. **NOTE:** The mounting bracket will not be used when surface mounting LED cluster, it is being used as a template to mark the hole locations where holes will need to be drilled.
3. Drill mounting holes to size, see Fig. 2.
4. The foam gasket is positioned behind the LED cluster.
5. Push the LED cluster wire through the drilled hole.
6. Align drilled mounting holes with the LED cluster and secure using hardware provided. See Fig. 3.
7. Repeat same procedure for second LED cluster.
8. Connect the LED clusters female plug to the splitter wires' male plug. **IMPORTANT:** First remove protective covers from the 2 male plugs. **NOTE:** The plugs can only connect in one position. Tighten the shoulder nut fully to ensure a good waterproof connection. See Fig. 6.
9. Secure all wiring in the engine compartment to be safe from the exhaust manifolds and moving parts.



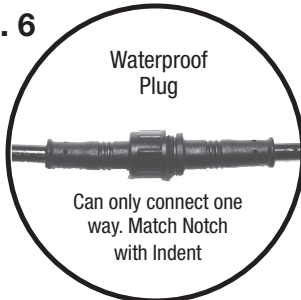
Grill mounting the LED cluster with bracket provided Fig. 4.

- Using the LED mounting bracket as a template, position in grill and mark the mounting hole locations.
- Drill mounting holes to size see Fig. 4
- Mount the LED cluster to the mounting bracket using the hardware provided. Make sure that the foam gasket is in position between the bracket and the LED cluster. See Fig. 5.
- The mounting bracket is secured to the grill using the hardware provided. Repeat same procedure for second bracket.
- Connect the LED clusters female plug to the splitter wires' male plug. **IMPORTANT:** First remove protective covers from the 2 male plugs.
NOTE: The plugs can only connect in one position. Tighten the shoulder nut fully to ensure a good waterproof connection. See Fig. 6.

Fig. 4



Fig. 6



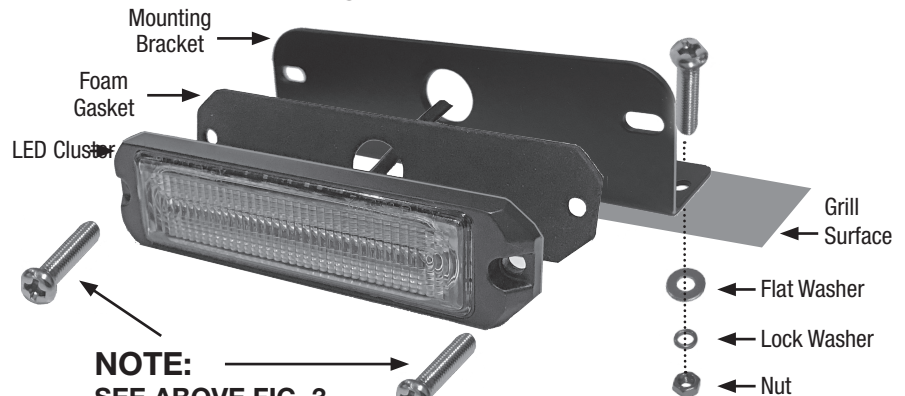
INSTALLATION IS COMPLETE

- Position switch controller to ON.

CHANGING LIGHT PATTERN:

There are twenty-six (26) different light patterns to choose from. Press and release the red button on the switch controller and the light pattern will change.

Fig. 5 GRILL MOUNT



NOTE:
SEE ABOVE FIG. 3
FOR MOUNTING
HARDWARE USED TO
SECURE LED CLUSTER
TO BRACKET

Warranty

Wolo Manufacturing Corporation ("Wolo") warrants to the original purchaser, for three months from the date of purchase, that this product is free from defects in workmanship and materials. If there is such a proven defect, Wolo, at its option, will either repair or replace the item free of charge, if it is returned to Wolo within three months from the date of purchase together with proof of purchase as described below. Wolo reserves the right to inspect any defect prior to settling any warranty claim by repair or replacement. This warranty is limited as above provided and Wolo will not be responsible for fire or other casualty or accident, due to neglect, abuse, abnormal use, modifications, faulty installation of this product, or natural causes.

ANY EXPRESSED WARRANTY NOT PROVIDED HEREIN IS EXCLUDED AND DISCLAIMED. THE IMPLIED WARRANTIES OF MERCHANTABILITY AND OF FITNESS FOR A PARTICULAR PURPOSE ARE EXPRESSLY LIMITED TO A TERM OF THREE (3) MONTHS. UNDER NO CIRCUMSTANCES SHALL WOLO BE LIABLE TO PURCHASER OR ANY OTHER PERSON FOR ANY SPECIAL OR CONSEQUENTIAL DAMAGES, WHETHER ARISING OUT OF BREACH OF WARRANTY OR OTHERWISE.

To obtain warranty service, return the product prepaid, and include the original bill of sale showing the date of purchase. Provide with the return a brief description of the problem with a daytime telephone number. Also, include with the return a check or money order in the amount of \$20.00 to cover return shipping.

Mail to:

Wolo Manufacturing Corp.
Attn: Warranty Service
One Saxwood Street, Deer Park, NY 11729
E-mail: tech@wolo-mfg.com